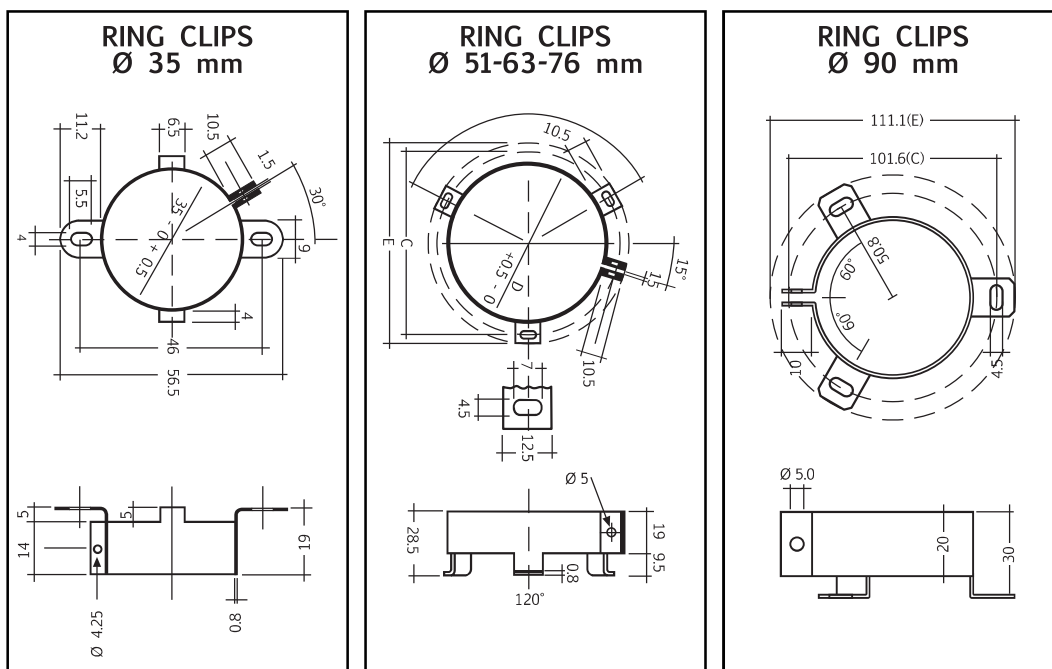


METAL RINGS CLIPS

MOUNTING ACCESSORIES FOR THE SCREW TYPE CAPACITORS dimensions in mm

CAP diameter ø mm	C (±0.5) mm hole distance	E (±0.5) mm max width	ORDERING CODE	unit WEIGHT grams (±0.5)
35	46.0	56.5	1603500000000000	11.0
51	63.5	73.4	1605000000000000	22.0
63	76.0	86.1	1606400000000000	26.0
76	89.0	98.6	1607600000000000	27.0
90	101.6	111.1	1609000000000000	62.0



FEATURES

The mounting clips are mainly used for upright mountings of screw terminal capacitors.
The ring clips are RoHS-compatible.

MOUNTING GUIDE

It is strongly recommended to insert an additional insulating layer between capacitor and mounting clip in order to avoid any potential risk of damage due to edges from the counting clips.

Pay attention to any relevant regulations (e.g. VDE, BSA or UL).